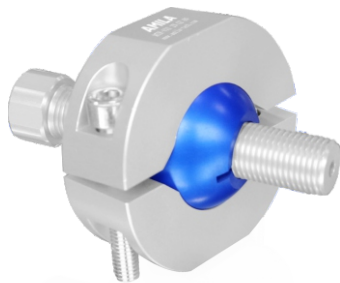


# Universal Holders

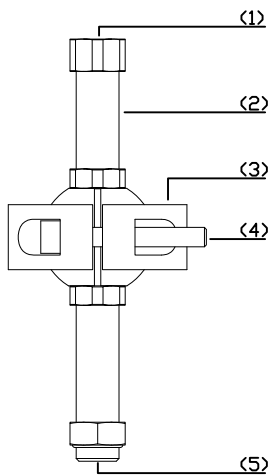
## Universal Holders MTR-UNI

Connection:G1/4"

Universal Holders MTR-UNI



System design Universal Holders MTR-UNI



### Introduction and application

- ◆ Universal holders allow quick installation of vacuum components onto the load beam with a variety of connectors
- ◆ Adjustable height and inclination for flexible adaptation to workpieces.

### Design

- ◆ Holder made of high strength, anodized aluminum, consisting of holder tube (2), ball clamp (3) and various adapters for mounting of square and round tubes.
- ◆ Threaded tube (5) has a G1/4" thread at the bottom for a suction cup and a G1/4" thread at the top (1) for connection of a vacuum line or an inline ejector
- ◆ Pipe line or installation of linear vacuum generator
- ◆ Including securing screws (4)



### Ordering Guide Universal Holders MTR-UNI

Type	Beam connection	Connection thread	Fixed plunger size[mm]	Ordering Data
MTR-UNI-1N-G2-80	1N	G2	80	90.04.01.00143
MTR-UNI-2N-G2-80	2N	G2	80	90.04.01.00144
MTR-UNI-2N-G2-110	2N	G2	110	90.04.01.00145
MTR-UNI-2N-G2-140	2N	G2	140	90.04.01.00146
MTR-UNI-2N-G2-200	2N	G2	200	90.04.01.00147

Note:1N( One Slider) 2N(Two Slider) G2(Connection thread)

# Universal Holders

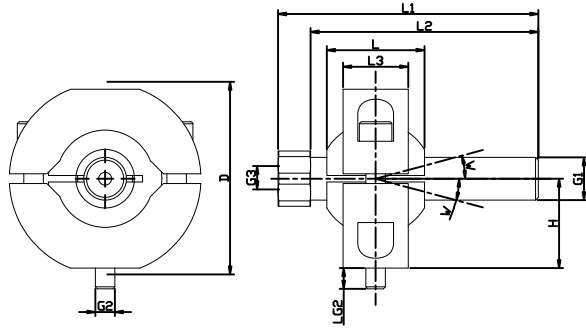
## Universal Holders MTR-UNI

Connection: G1/4"

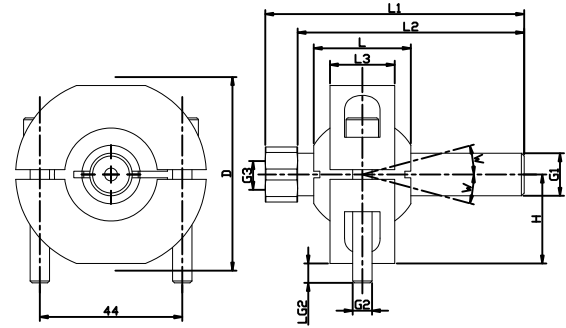


### Design Data Universal Holders MTR-UNI

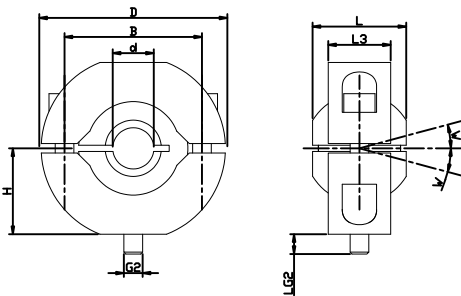
MTR-UNI-1N-G2



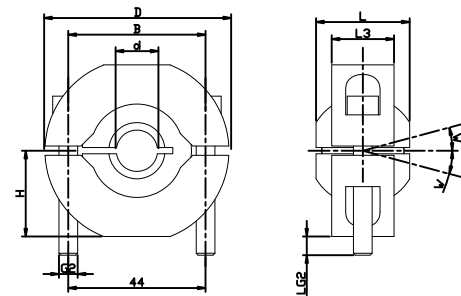
MTR-UNI-2N-G2



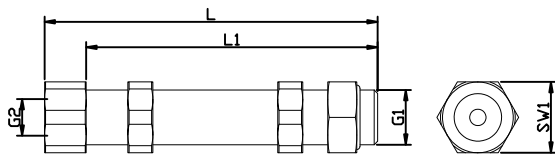
MTR-UNI-1N-FSTI



MTR-UNI-2N-FSTI



MAUG-ANB



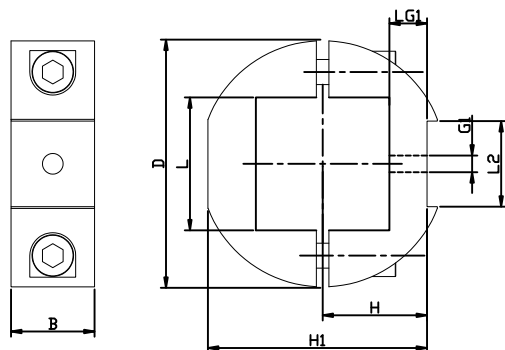
Type	Dimensions[mm]														
	B	d	D	G1	G2	G3	H	L	L1	L2	L3	LG2	SW1	W[°]	
MTR-UNI-1N-G2-80	-	-	59	G1/4-M	M6-M	G1/4-F	27.5	30	80	70	20	6	-	15	
MTR-UNI-2N-G2-80	44	-	59	G1/4-M	M6-M	G1/4-F	27.5	30	80	70	20	6	-	15	
MTR-UNI-2N-G2-110	44	-	59	G1/4-M	M6-M	G1/4-F	27.5	30	80	70	20	6	-	15	
MTR-UNI-2N-G2-140	44	-	59	G1/4-M	M6-M	G1/4-F	27.5	30	14	130	20	6	-	15	
MTR-UNI-2N-G2-200	44	-	59	G1/4-M	M6-M	G1/4-F	27.5	30	200	190	20	6	-	15	
MTR-UNI-1N-FSTI	44	18.0	59	-	M6-M	-	27.5	28	-	-	20	6	-	15	
MTR-UNI-2N-FSTI	44	18.0	59	-	M6-M	-	27.5	28	-	-	20	6	-	15	
MTR-UNI-2N-G1/4	44	13.3	59	-	M6-M	-	27.5	30	-	-	20	6	-	15	
MAUG-ANB-G1/4-AG-80	-	-	-	G1/4-M	G1/4-F	-	-	80	70	-	-	-	17	-	
MAUG-ANB-G1/4-AG-140	-	-	-	G1/4-M	G1/4-F	-	-	140	130	-	-	-	17	-	
MAUG-ANB-G1/4-AG-200	-	-	-	G1/4-M	G1/4-F	-	-	200	190	-	-	-	17	-	

# Universal Holders

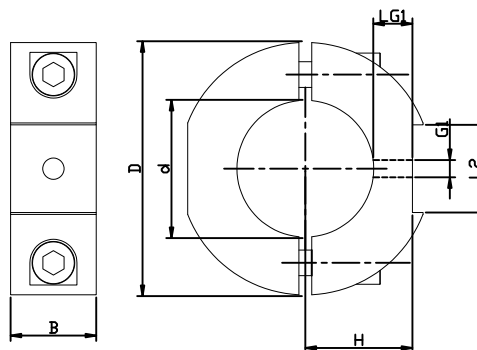
## Universal Holders MTR-UNI

Connection: G1/4"

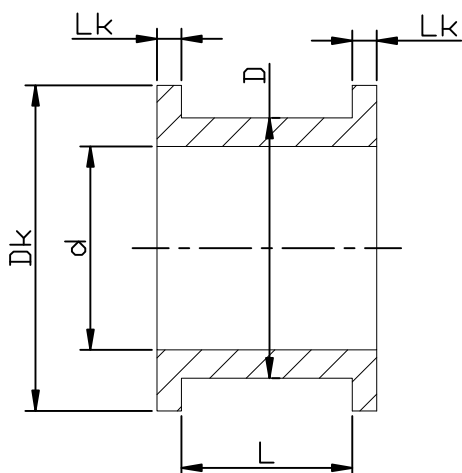
MTR-STB-30X30-UNI



HTR-STC-D32-UNI



MUCHSE-32-25X21-PA



Type	Dimensions[mm]										
	B	d	D	DK	G1	H	H1	L	L2	LG1	LK
MTR-STB-30x30-UNI	20	-	58.9	-	M6-F	25	52.5	30.5	20.1	10	-
MTR-STC-D32-UNI	20	32	58.9	-	M6-F	25	-	-	20.1	12	-
MUCHSE-32-25x21-PA	-	25	32.0	40	-	-	-	21.0	-	-	3